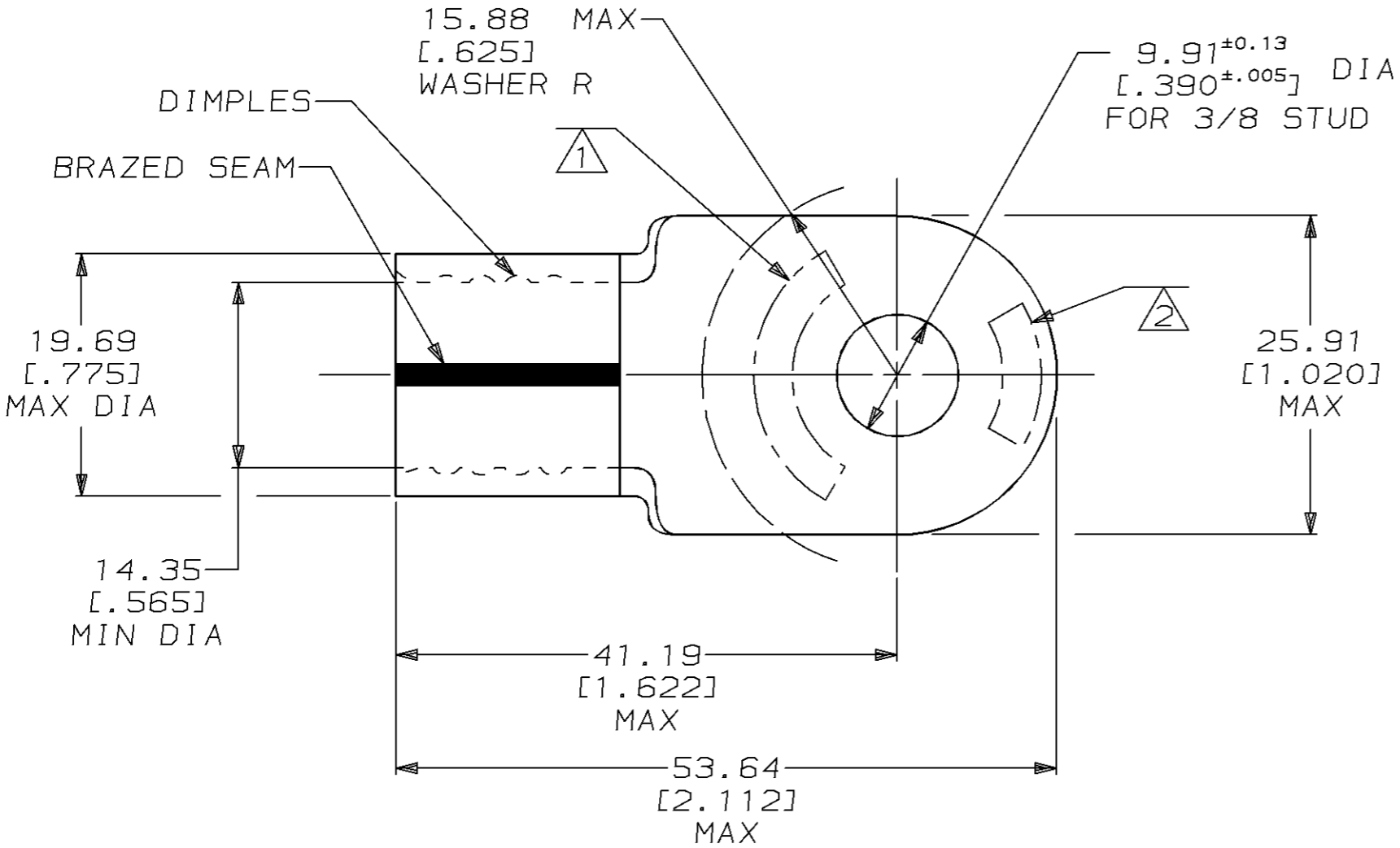


THIS DRAWING IS UNPUBLISHED. RELEASED FOR PUBLICATION, 19 .
 © COPYRIGHT 19 BY AMP INCORPORATED. ALL INTERNATIONAL RIGHTS RESERVED.

LOC	DIST	P	F	REVISIONS				
G	14			ZONE	LTR	DESCRIPTION	DATE	APPD
					F	REVISED PER 0L20-0073-96	19FEB97	OKS CHK

AMP PART NO	MATERIAL	PKG TYPE	QTY
8-321875-5	M/F 8-321875-0	BOX	5
8-321875-6	M/F 8-321875-0	SPL	5

OBSOLETE



AMP WIRE RANGE	E13288 Listed
3/0 AWG SOLID OR STRANDED	3/0 AWG STRANDED
LR7189 Certified	MILITARY P/N AND CLASS
3/0 AWG SOLID OR STRANDED	MS 20659-121 CLASS 2

- 1 STAMP AMP 3/0W* APPROX AS SHOWN
- 2 STAMP 150 APPROX AS SHOWN
- 3 MATERIAL THK: 2.31±0.08 [.091±.003]

AMP INCORPORATED
CUSTOMER SERVICE SYSTEMS

FOR ADDITIONAL PRODUCT INFORMATION OR COPIES OF DRAWINGS AND TECHNICAL DOCUMENTS
 PRODUCT INFORMATION CENTER
 1-800-522-6752

FOR APPLICATION TOOLING INFORMATION
 TOOLING ASSISTANCE CENTER
 1-800-722-1111

FOR ORDER ENTRY
 1-800-526-5142

MAX RECOMMENDED OPERATING TEMPERATURE:
 170°C MAX

VOLTAGE RATING:
 NOT APPLICABLE

WIRE CROSS SECTIONAL AREA RANGE:
 76.3-96.3mm² [150,500-190,000] CIR MILS
 SOLID OR STRANDED

THIS DRAWING IS A CONTROLLED DOCUMENT FOR AMP INCORPORATED. IT IS SUBJECT TO CHANGE AND THE CONTROLLING ENGINEERING ORGANIZATION SHOULD BE CONTACTED FOR THE LATEST REVISION.

DO NOT SCALE PRINT, UNLESS SPECIFIED
 DIMENSIONS IN mm [INCHES]
 TOLERANCES ON:
 2 PLC DEC ± 0.20 [.008]
 3 PLC DEC ± -
 ANGLES ± -

MATERIAL
 COPPER PER ASTM B-152
 ANNEALED

FINISH
 TIN PLATE
 0.00254 [.000100] MIN
 THK PER MIL-T-10727

DR	5/25/93	DK SCHRUM
CHK	1/27/94	RD HEIM
APPD	1/27/94	RE ROSER
APPD	1/27/94	JL MECKLEY
PRODUCT SPEC	-	-
APPLICATION SPEC	-	-
WEIGHT	-	-

321875		
PART NO		
AMP AMP Incorporated Harrisburg, PA 17105-3608		
NAME TERMINAL, RING TONGUE, SOLISTRAND™		
SIZE B	CAGE CODE 00779	DRAWING NO C-321875
SCALE 2:1	SHEET 1 OF 1	